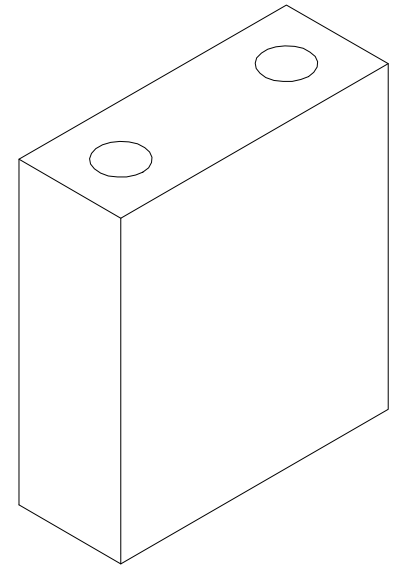
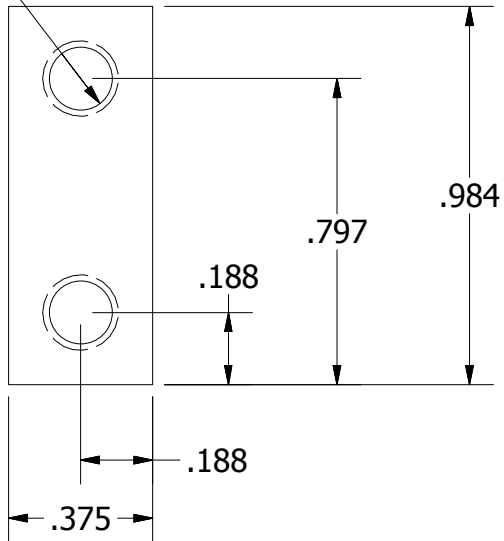


1.102

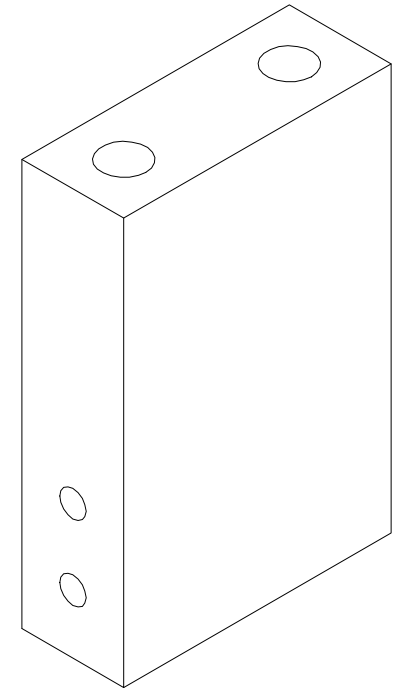
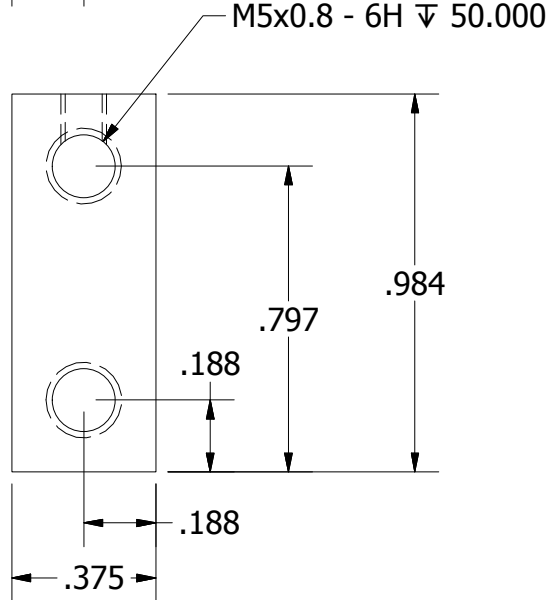
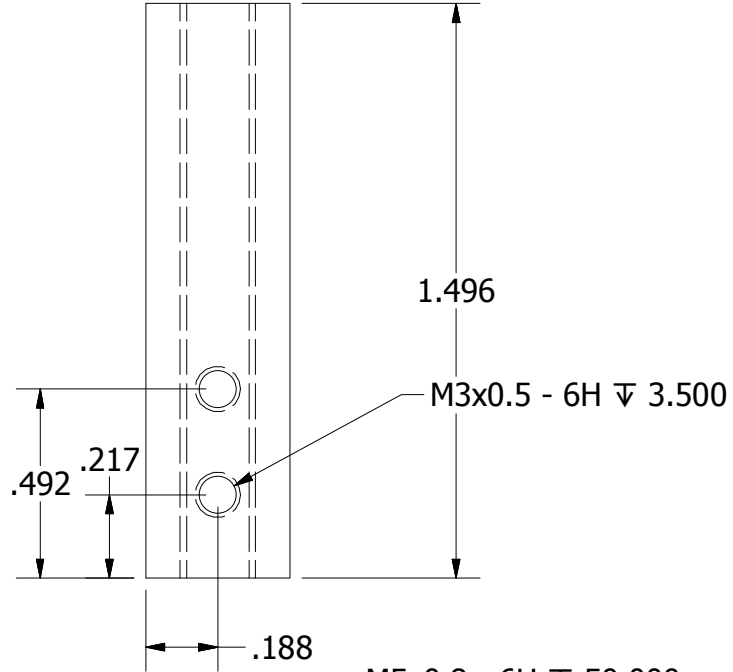
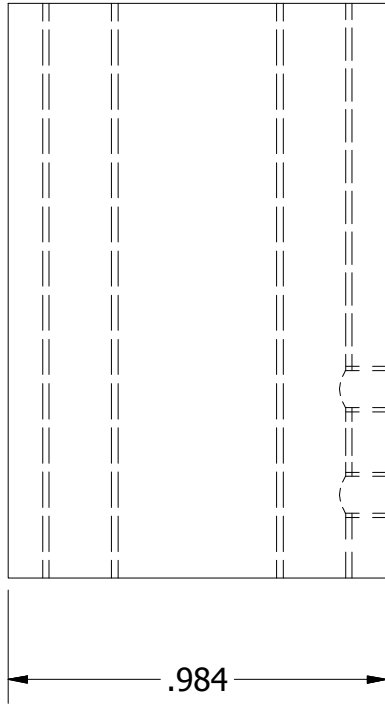
.984



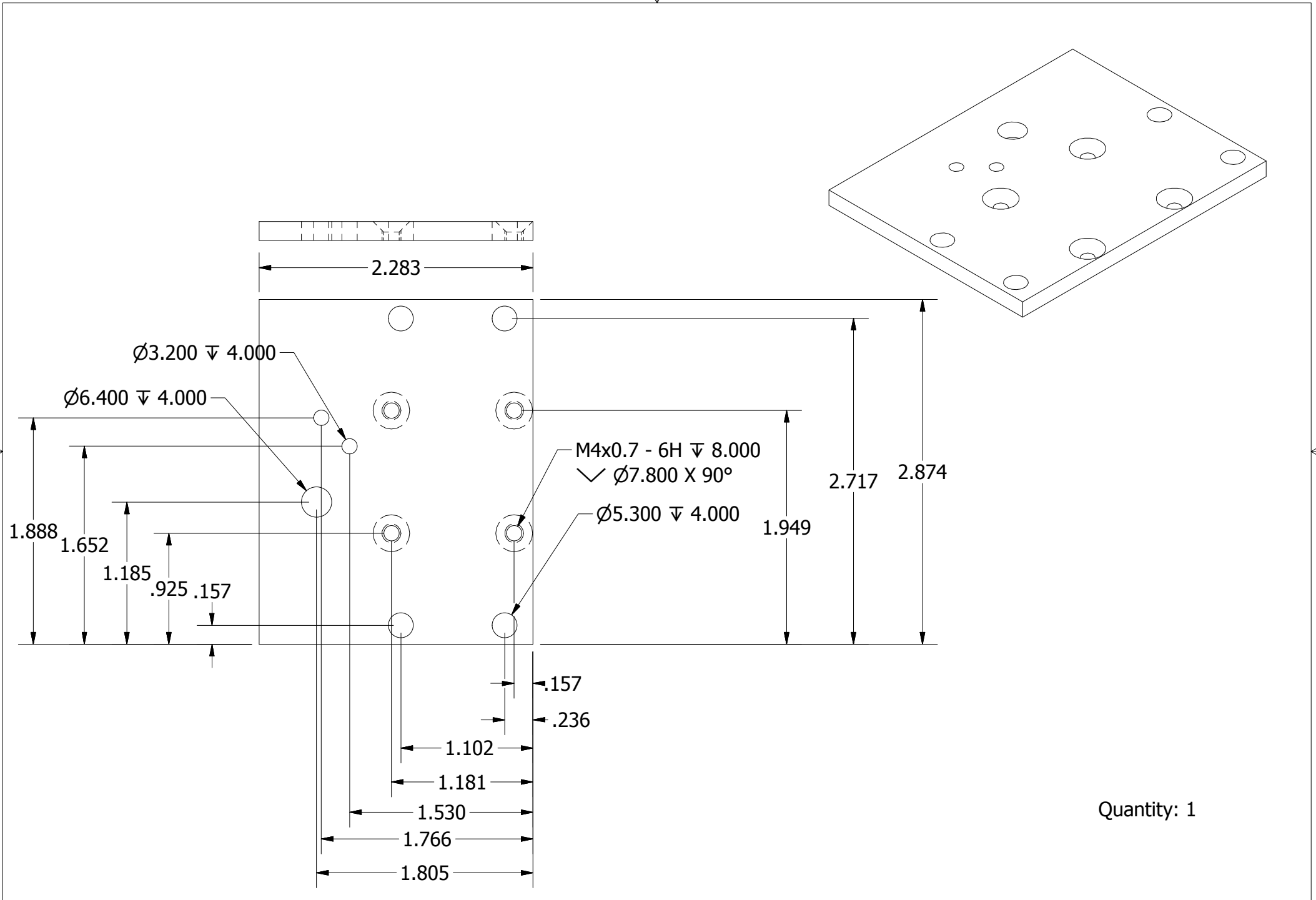
M5x0.8 - 6H ∇ 50.000



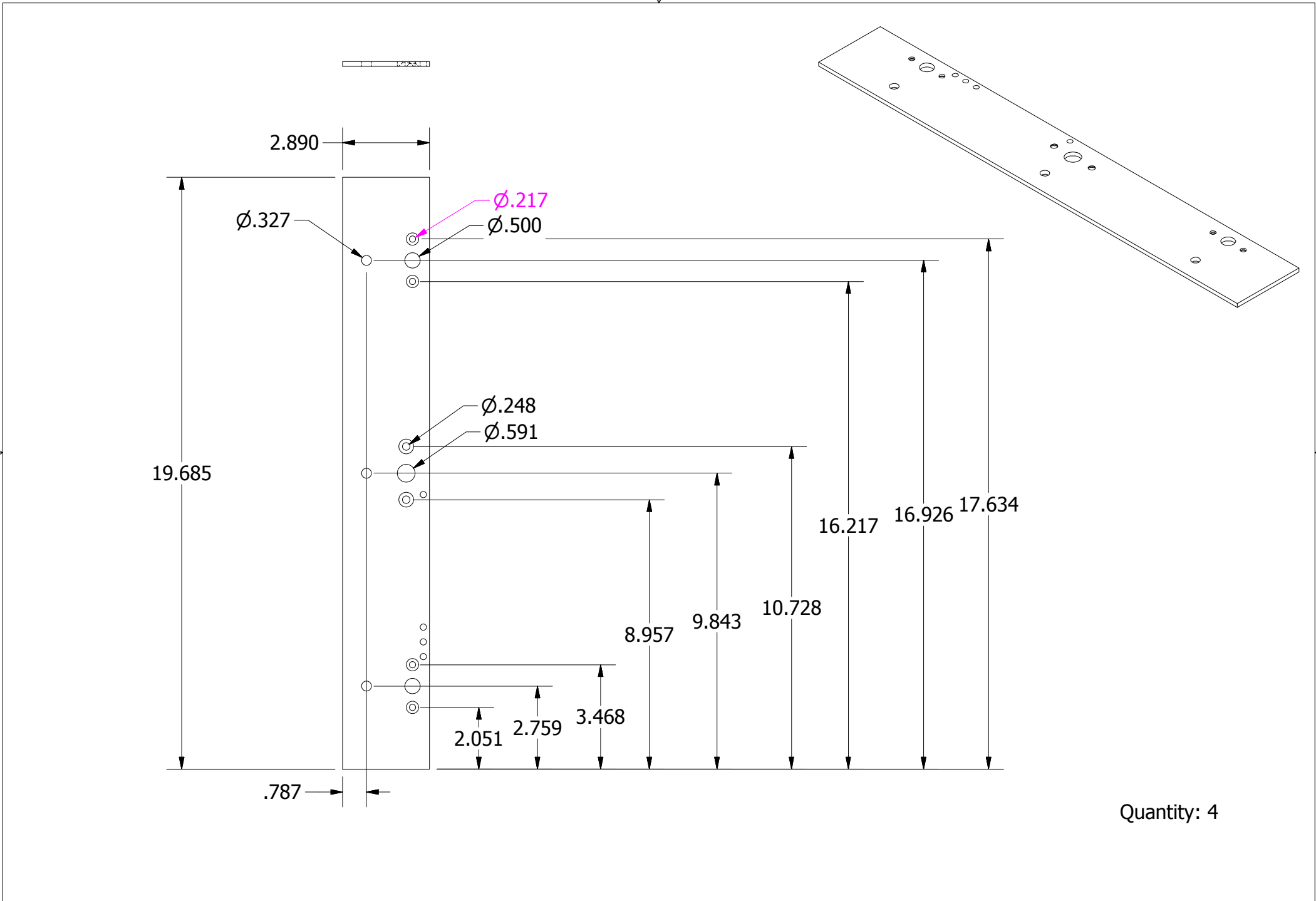
Quantity: 2

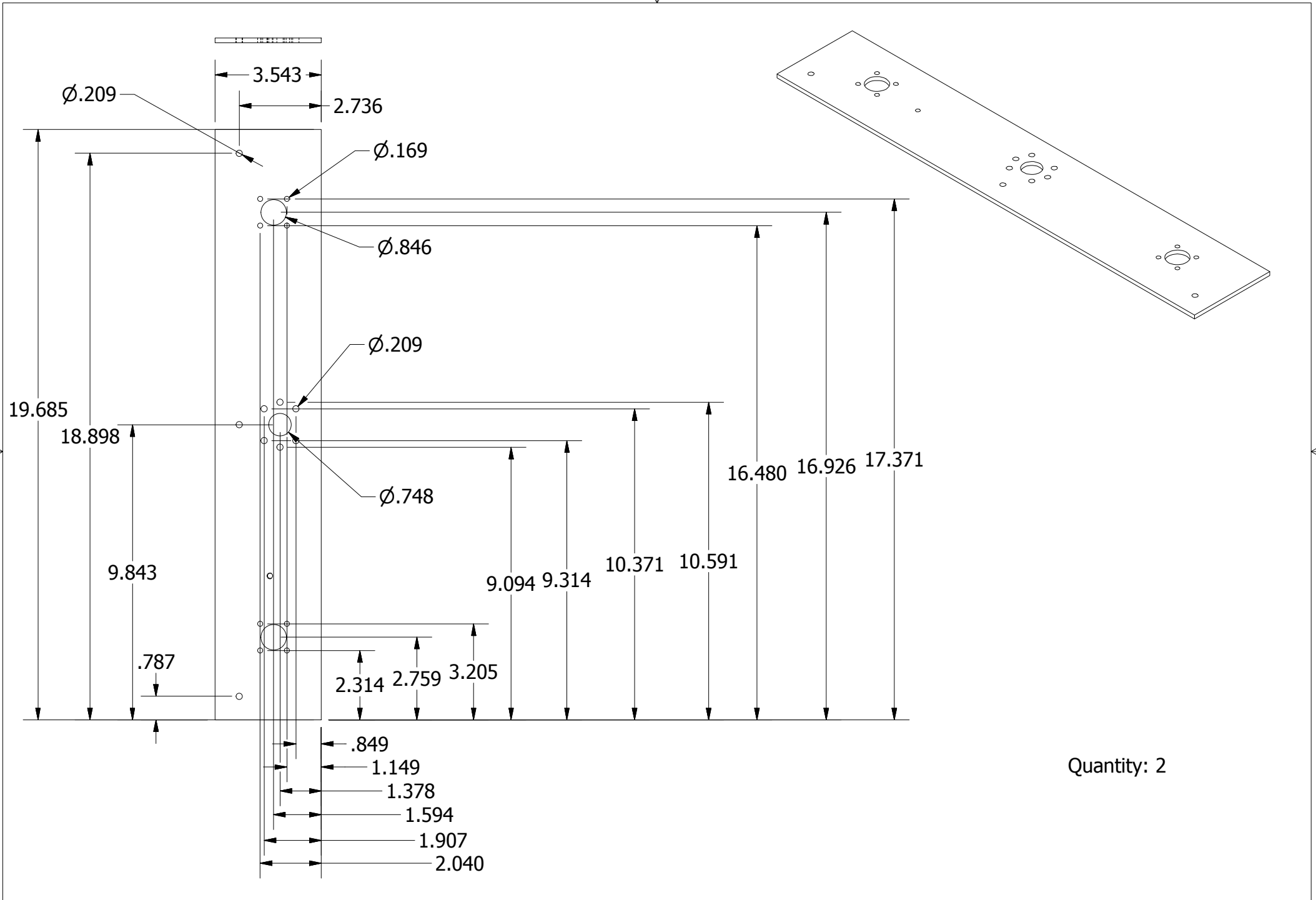


Quantity: 2

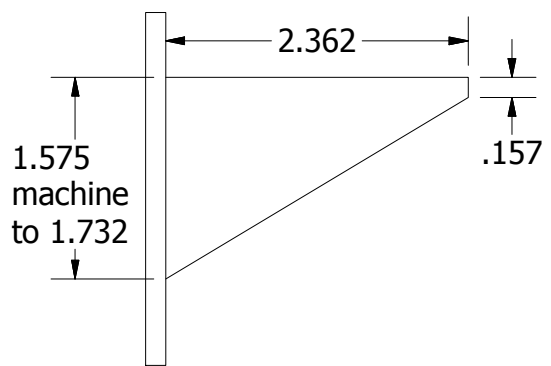
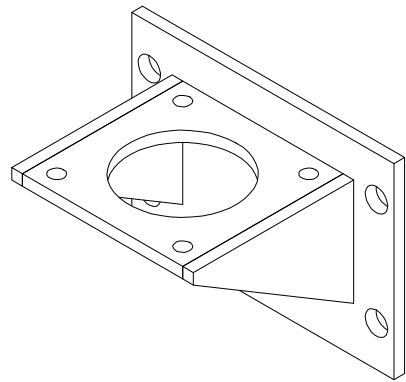
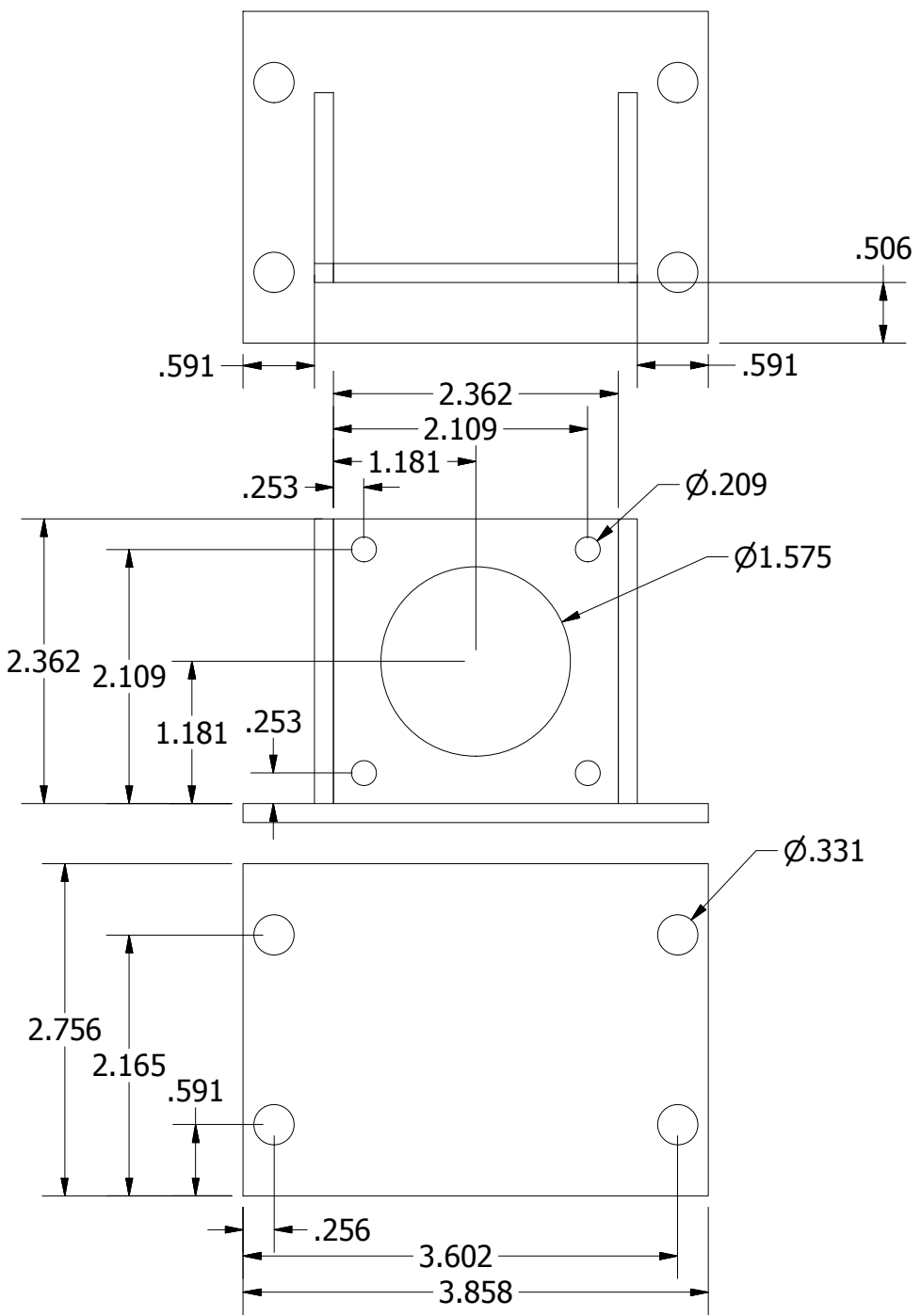


Quantity: 1

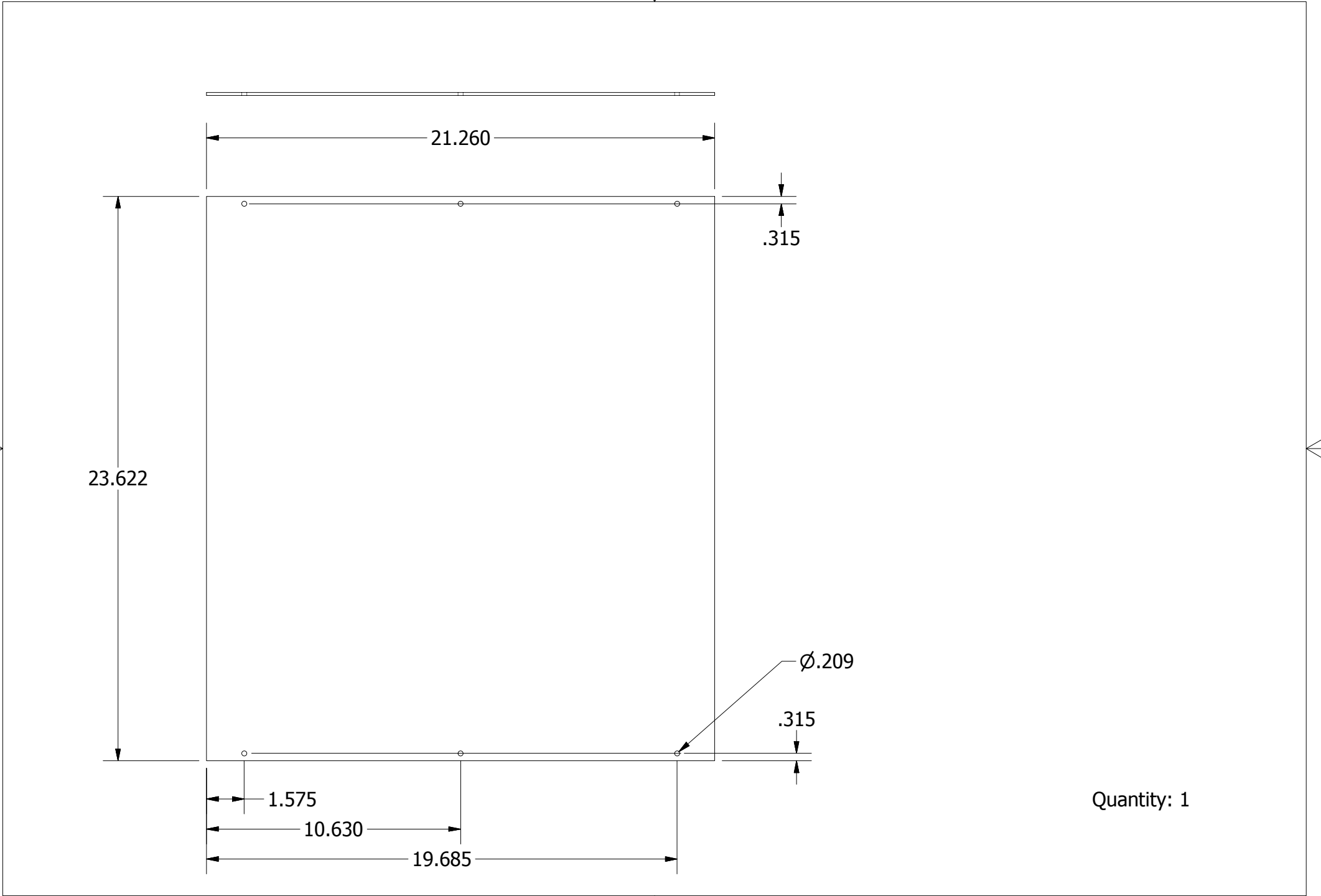




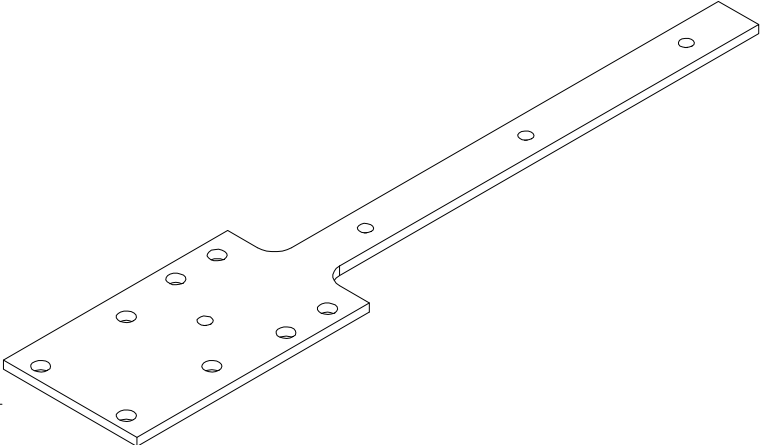
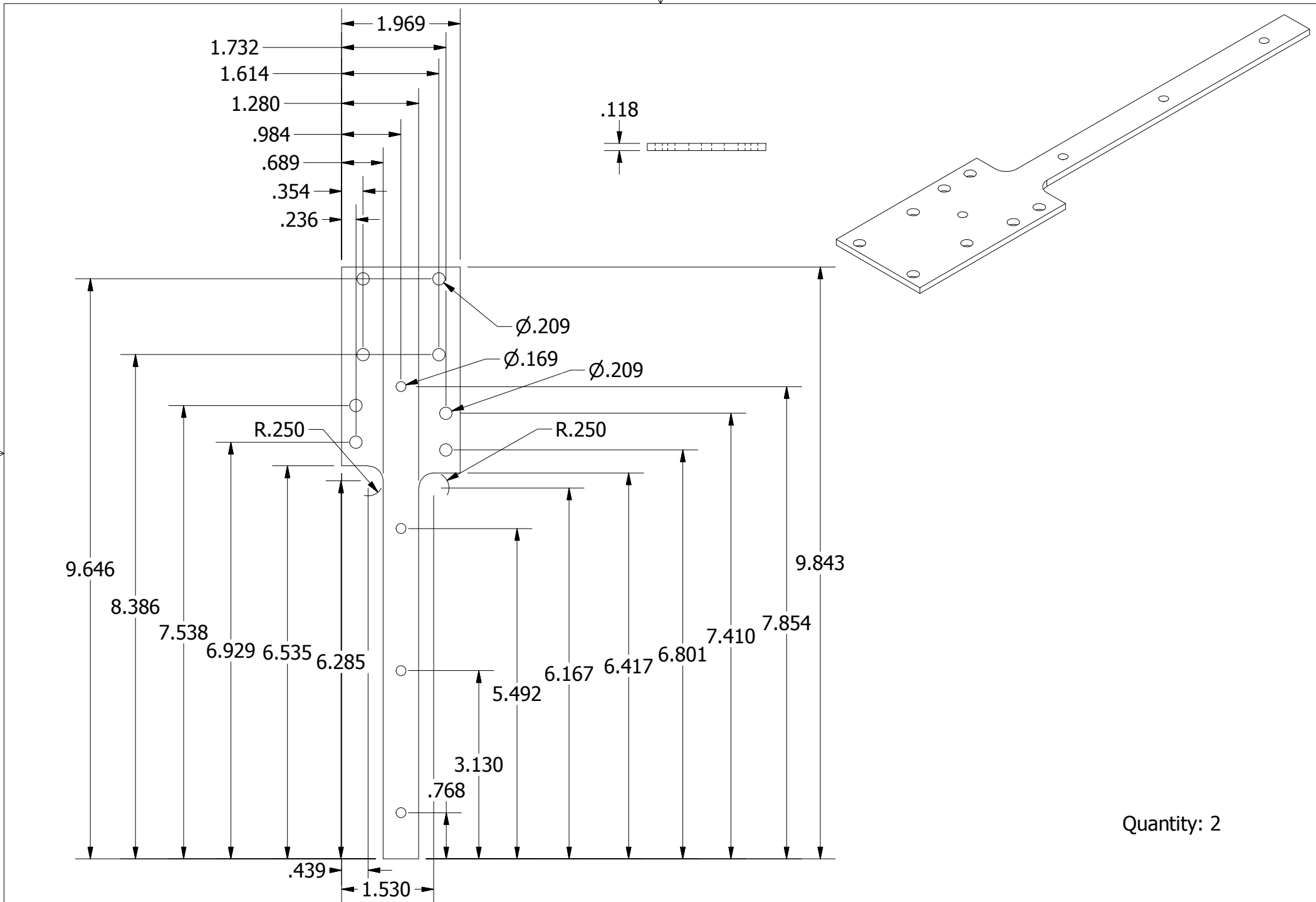
Quantity: 2

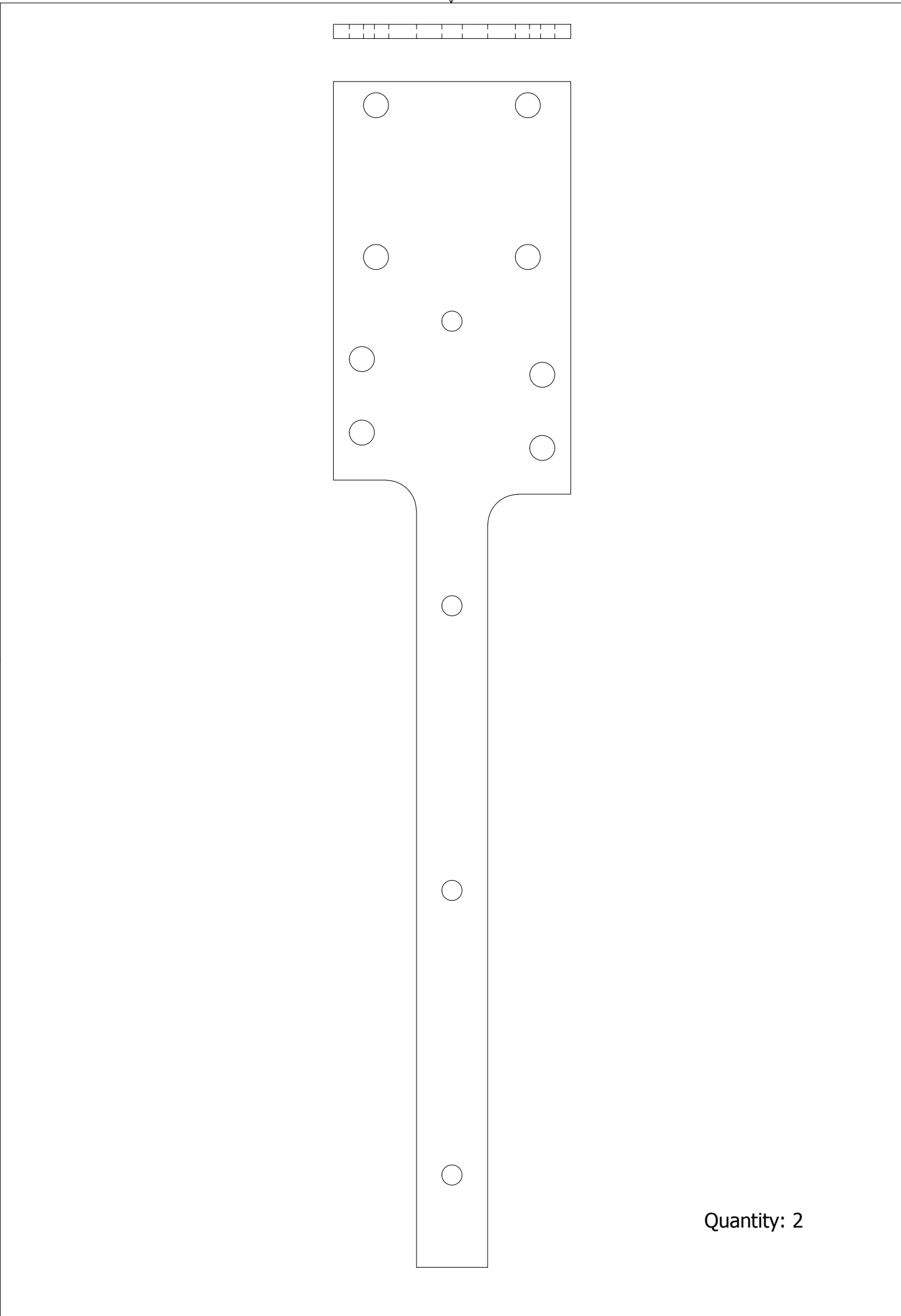


Quantity: 1

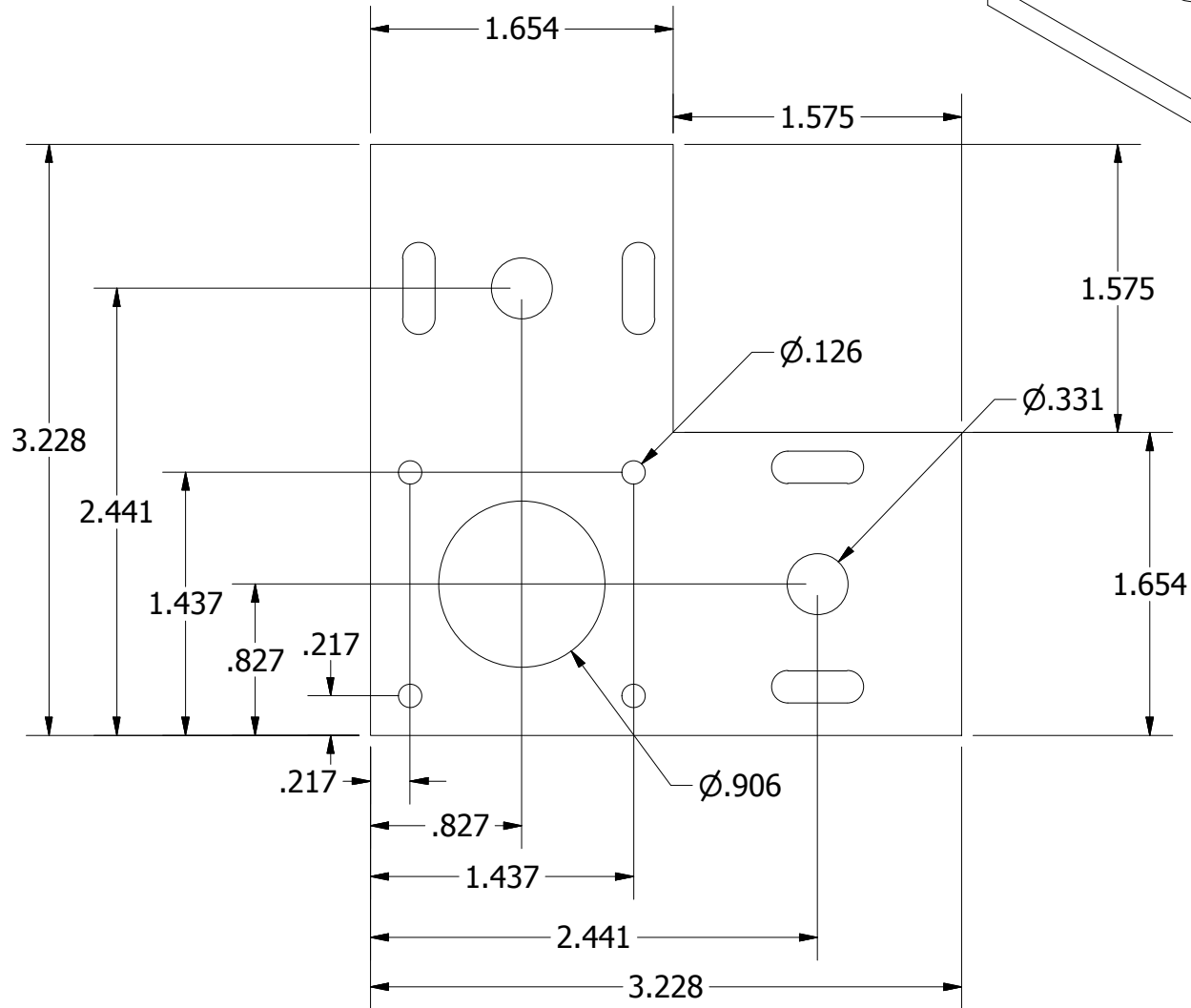
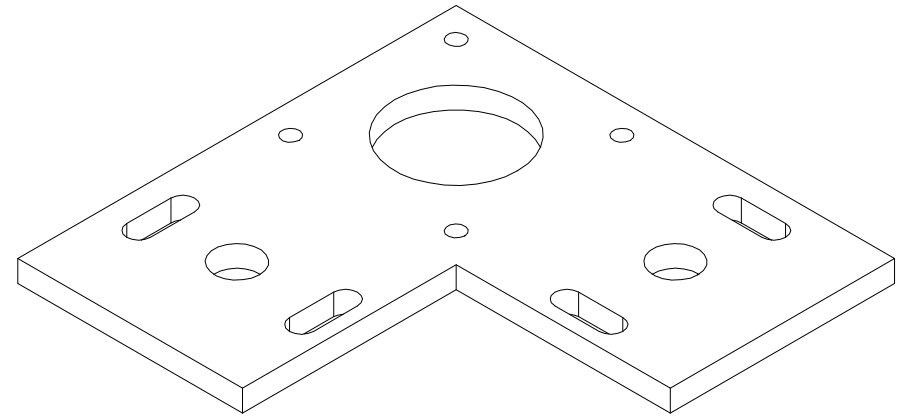
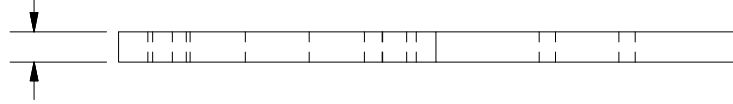


Quantity: 1

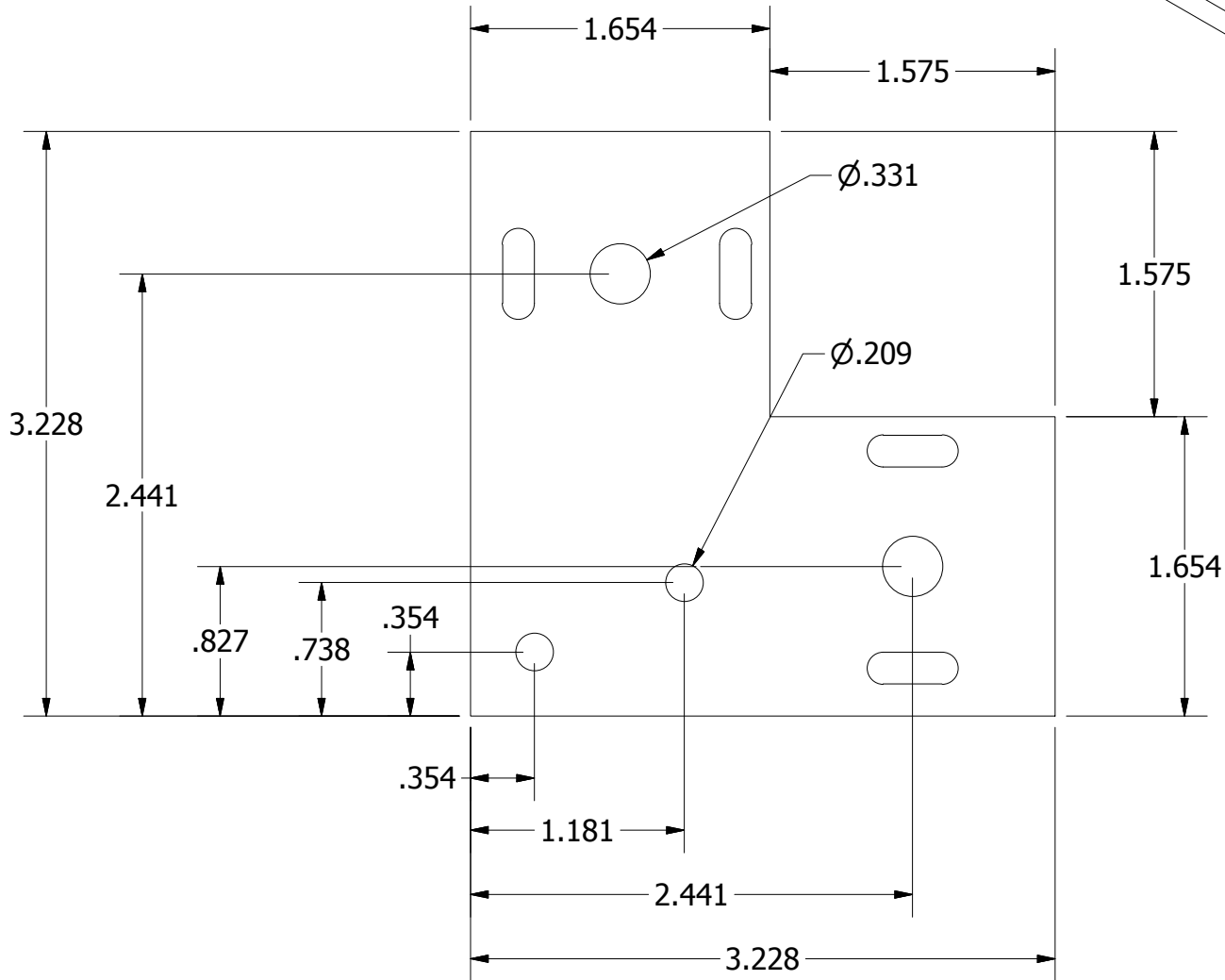
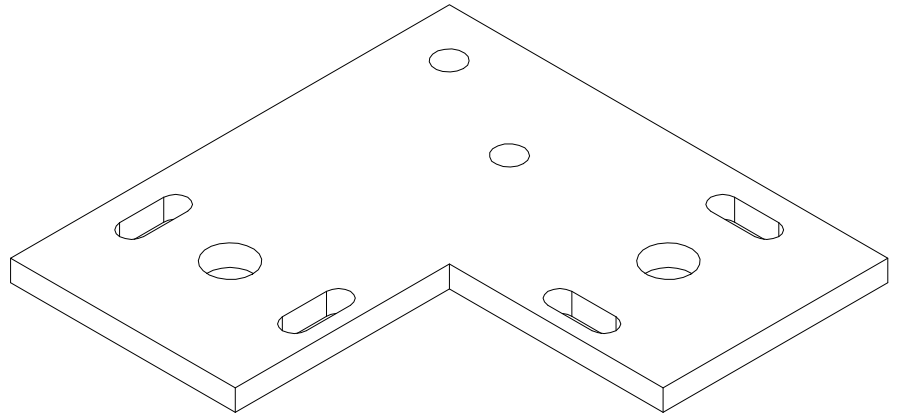
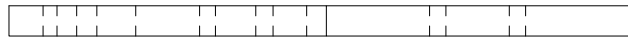




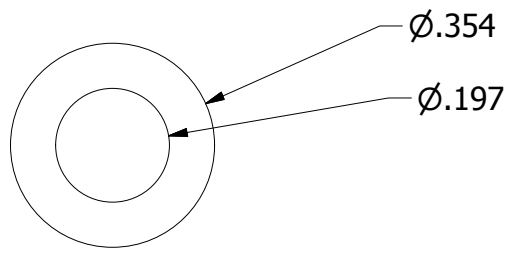
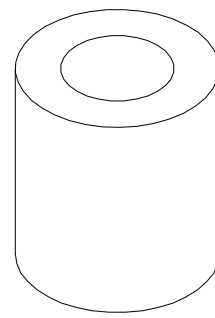
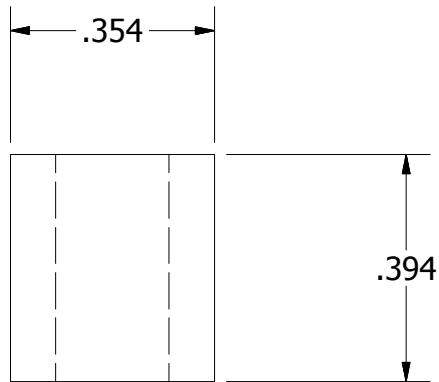
.157



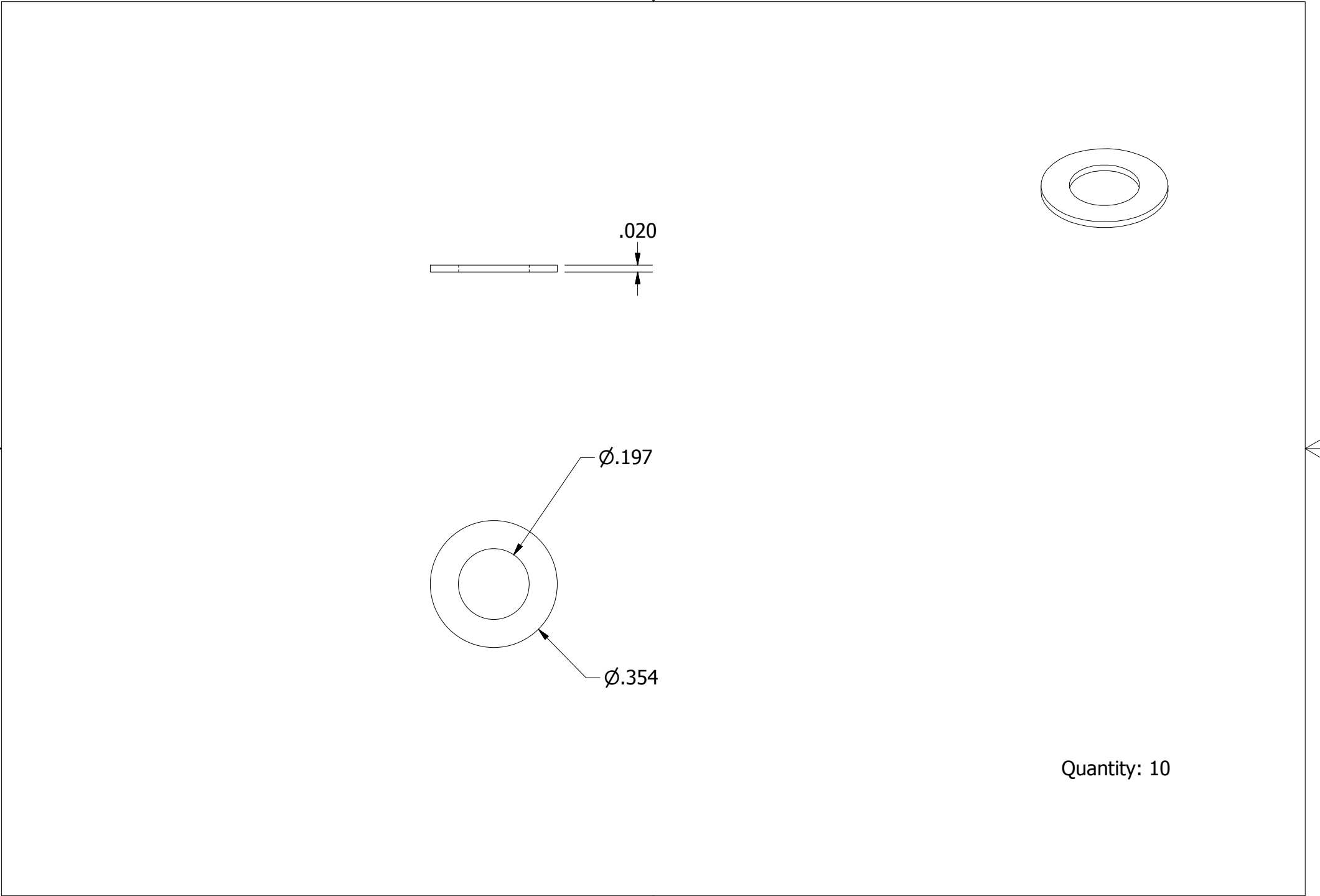
Quantity: 2



Quantity: 2



Quantity: 2

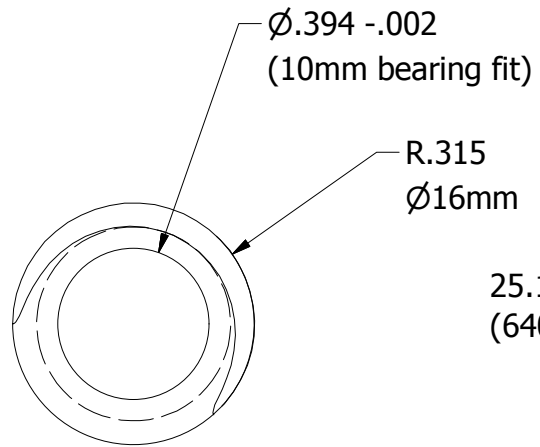


$.020$

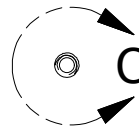
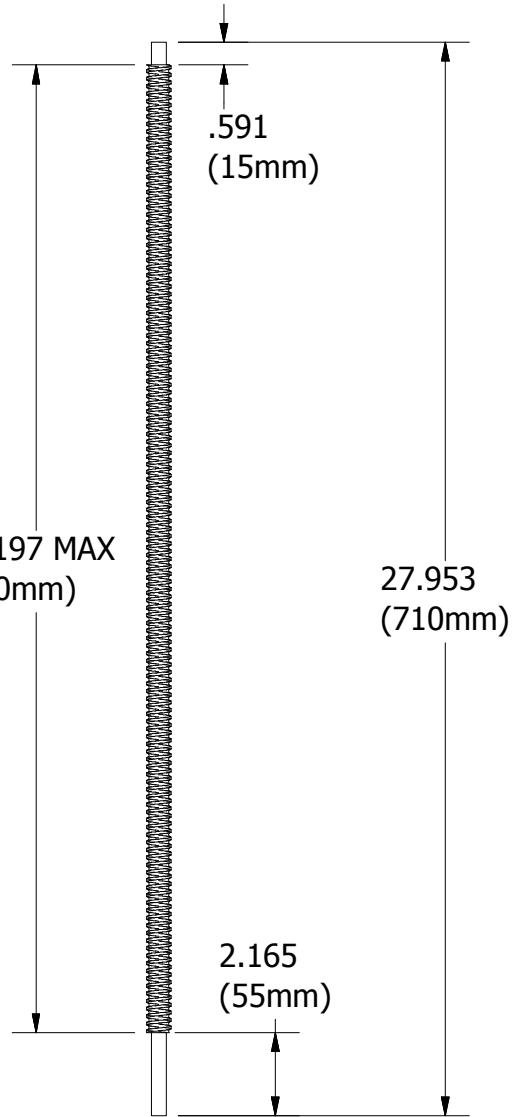
$\varnothing.197$

$\varnothing.354$

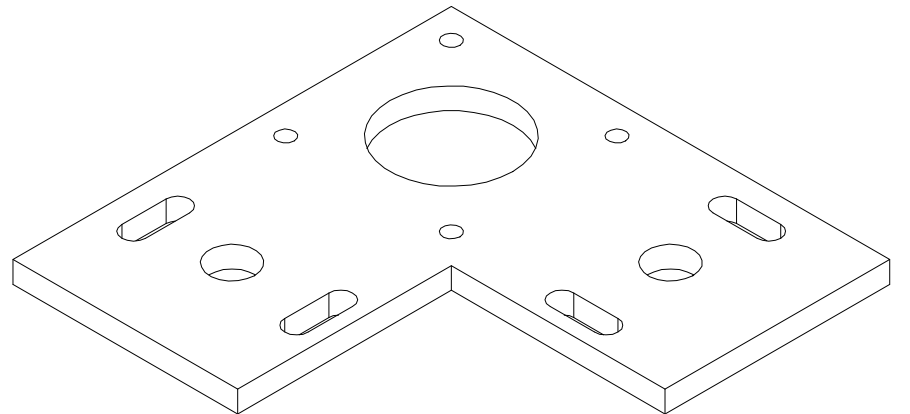
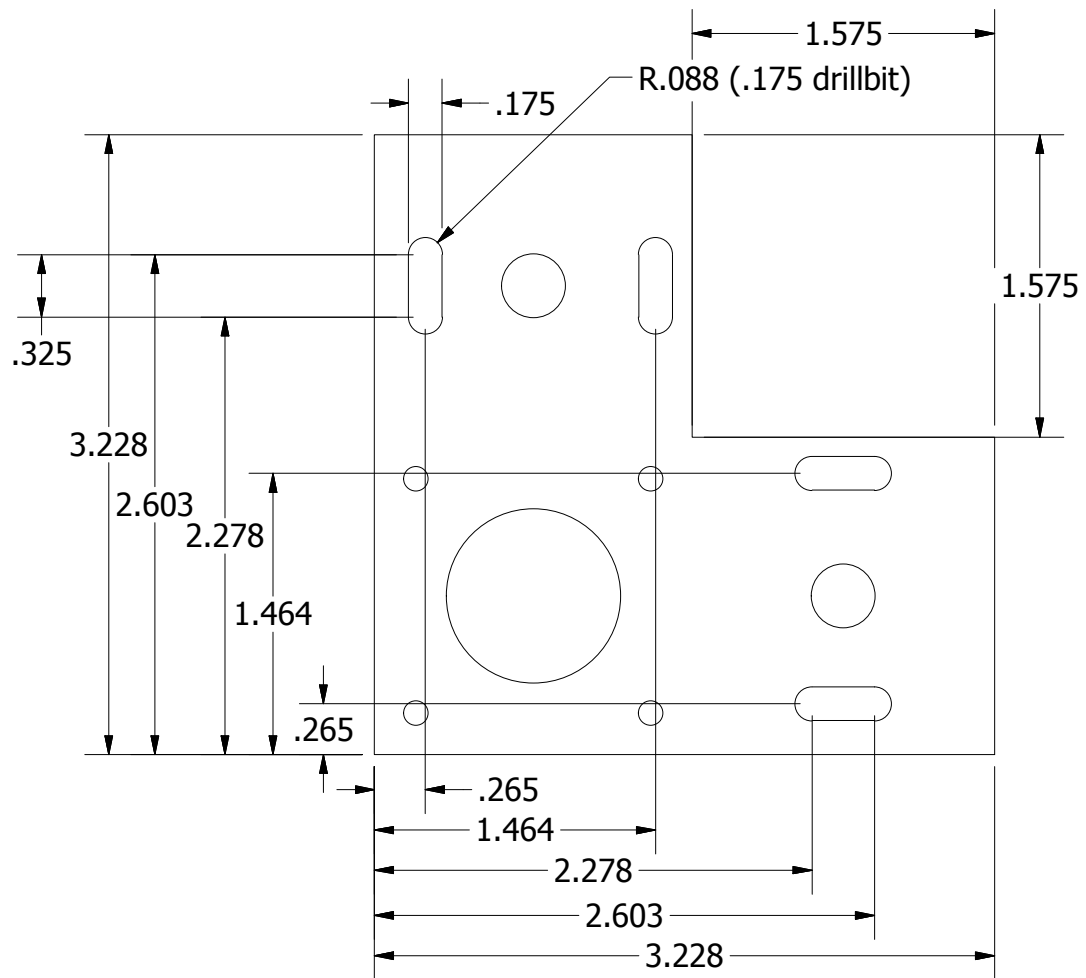
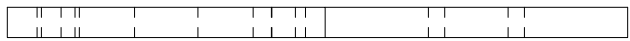
Quantity: 10



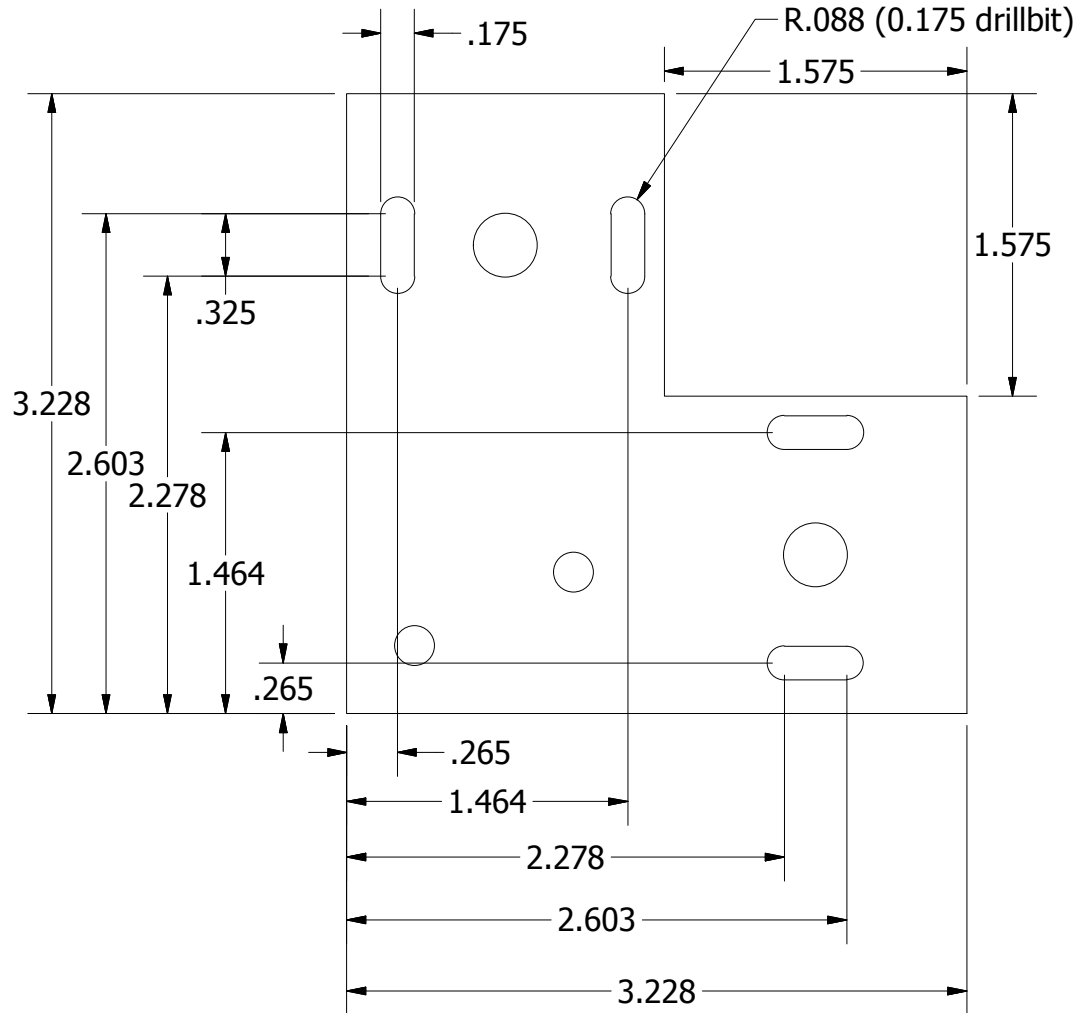
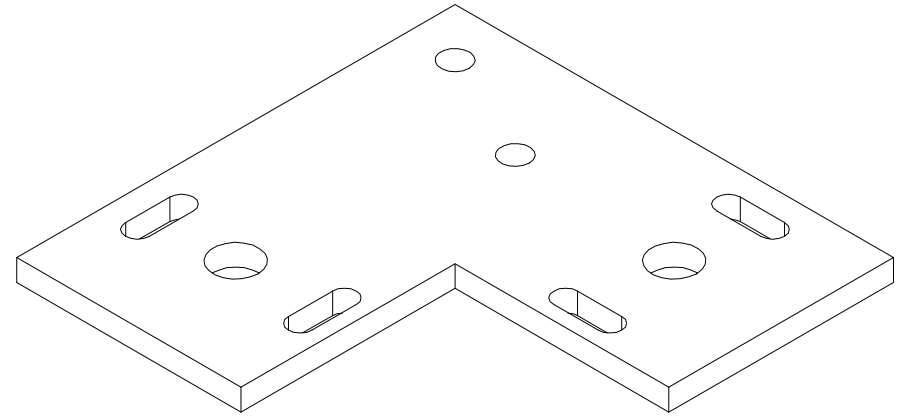
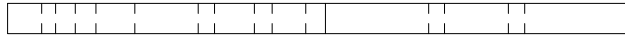
DETAIL C
SCALE 2 : 1



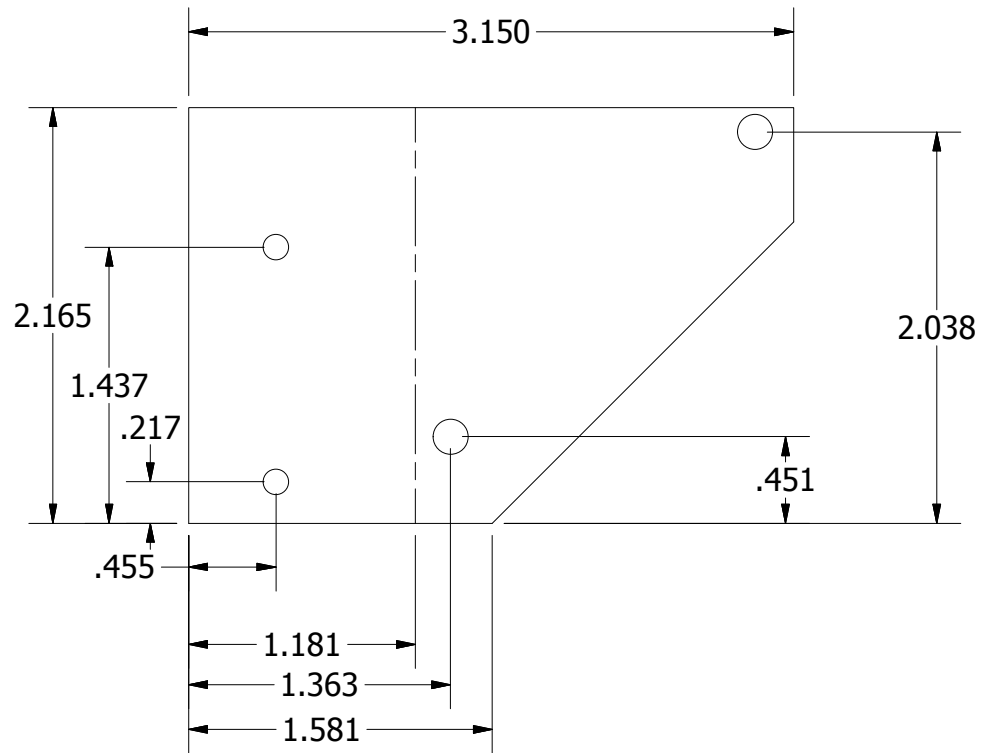
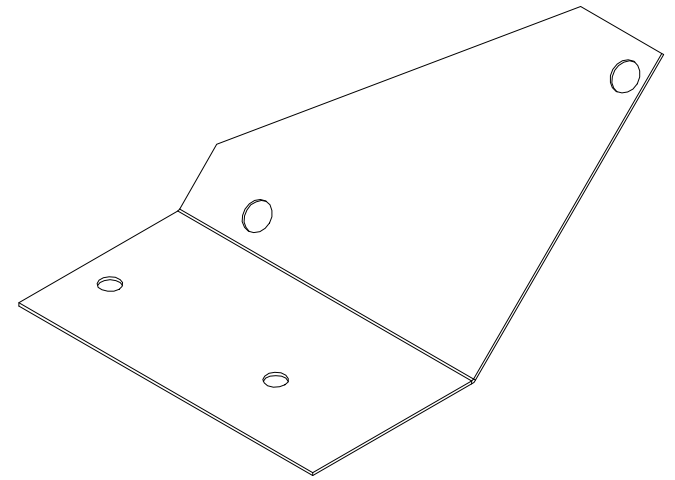
Quantity: 2



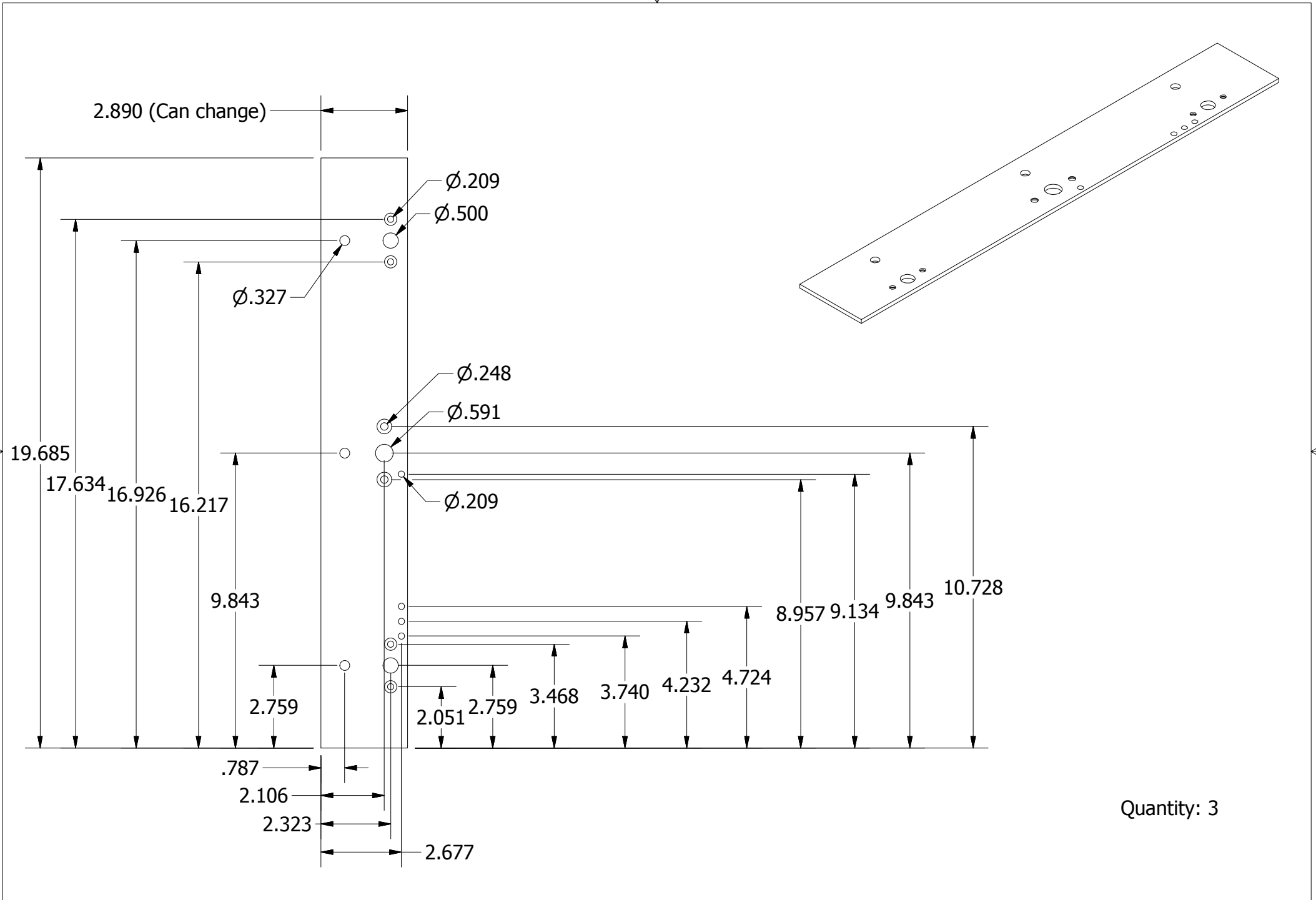
Quantity: 2

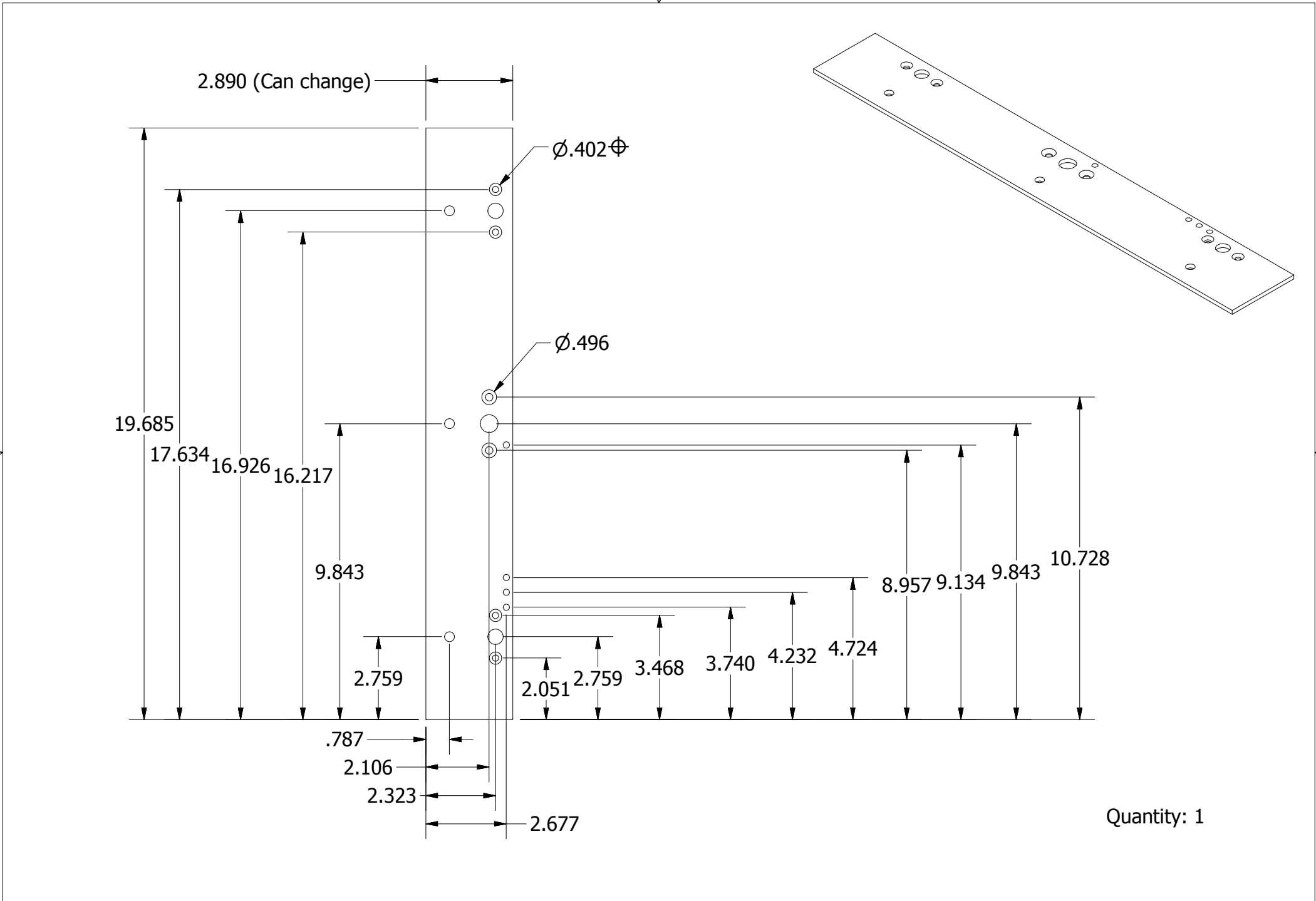


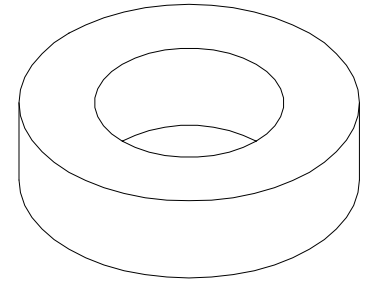
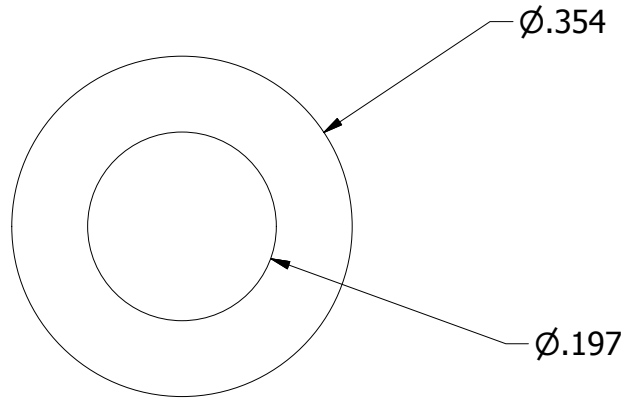
Quantity: 2



Quantity: 1







Quantity: 3

